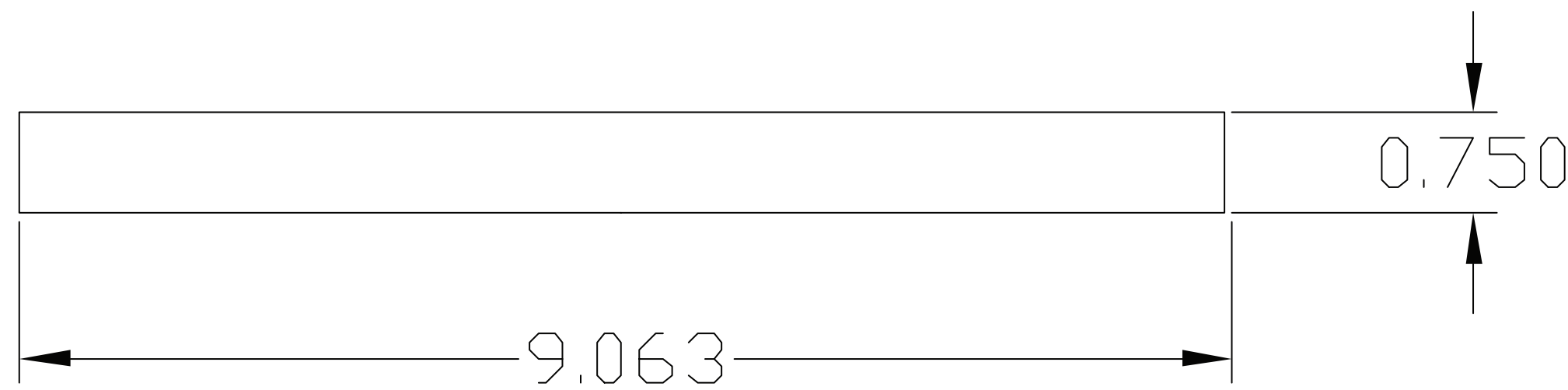
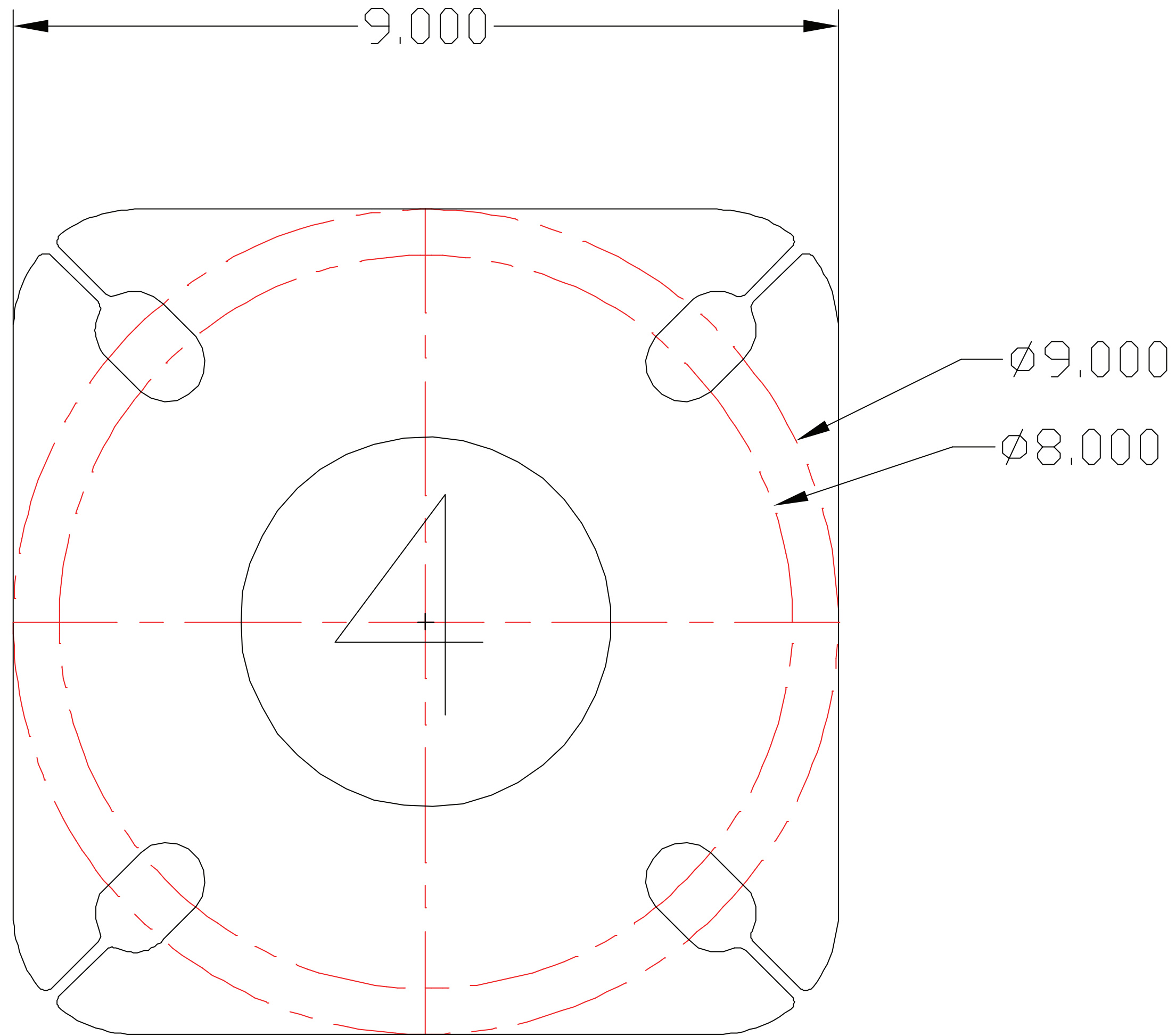


PARTS No.CSBP4RP



GROSS WT: 18.10 LBS
 NET WT: 15.40 LBS

GENERAL:

1. UNLESS NOTED USE ONLY THE LATEST ISSUES OF ANY APPLICABLE CODES, STANDARDS OR REGULATIONS
2. UNLESS NOTED ALL CONSTRUCTION SHALL CONFORM TO THE APPLICABLE STATE OR NATIONAL BUILDING CODE
3. VERIFY ALL DIMENSIONS AND REPORT ANY DISCREPENCIES TO THE CONSULTANT BEFORE PERFORMING ANY WORK
4. ALL STRUCTURAL MEMBERS ARE NEW UNLESS NOTED OTHERWISE
5. ALL DIMENSIONS ARE IN MILLIMETERS UNLESS NOTED OTHERWISE

STRUCTURAL STEEL:

1. STEEL DESIGN, FABRICATION AND ERECTION: ASTM A36, STEEL PLATE STANDARD SPECIFICATION FOR CARBON STRUCTURAL STEEL
2. ALL STRUCTURAL STEEL IS NEW AND SHALL CONFORM TO ASTM A123/A123M-17 STANDARD SPECIFICATION FOR ZINC (HOT-DIP GALVANIZED) COATINGS ON IRON AND STEEL PRODUCTS
3. ALL U-BOLTS, ANCHOR BOLTS AND THREADED BARS SHALL CONFORM TO ASTM A307
4. WELDED STEEL CONSTRUCTION (METAL ARC WELDING) SHALL CONFORM TO AWS D1.1, STRUCTURAL WELDING CODE STEEL

DESIGN LOADS:

1. STEEL STRUCTURE AND ANCHOR BOLTS DESIGNED IN ACCORDANCE WITH AASHTO STANDARD SPECIFICATIONS FOR STRUCTURAL SUPPORTS FOR HIGHWAY SIGNS, LUMINAIRES AND TRAFFIC SIGNALS FOR A 44.7 M/A (100 MPH) WIND LOAD
2. STEEL STRUCTURE AND ANCHOR BOLTS MEET THE REQUIREMENT OF THE FOLLOWING STANDARDS:
 - NATIONAL BUILDING CODES OF AMERICA
 - ASTM A123/A123M-17 STANDARDS SPECIFICATION FOR ZINC (HOT-DIP GALVANIZING) COATINGS ON IRON AND STEEL PRODUCTS

Carbon Steel Baseplate

STRAHNET™
STRATEGIC HIGHWAY SUPPLY NETWORK LLC

baseplatecover.com

www.strahnet.com

www.poletopolenetwork.com

DRAWN BY : J K R

09/26/2018

DRAWING NO. CSBP4R18.1