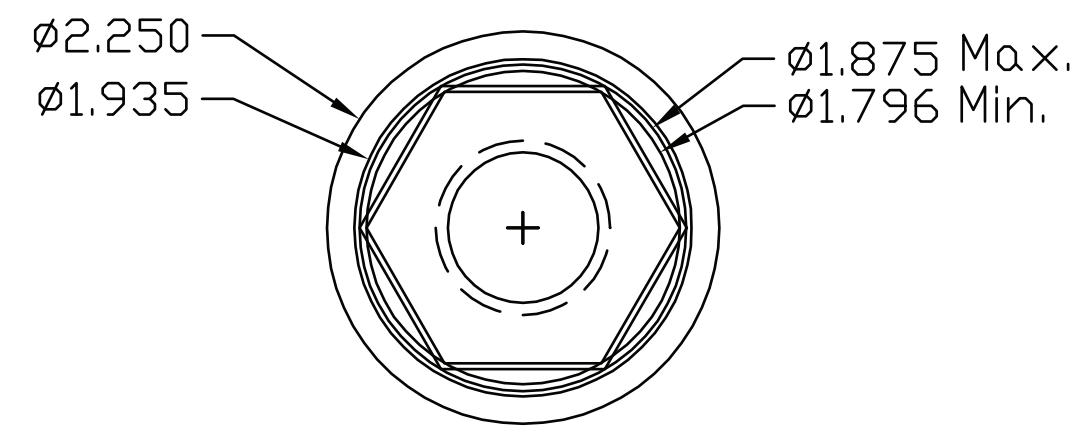
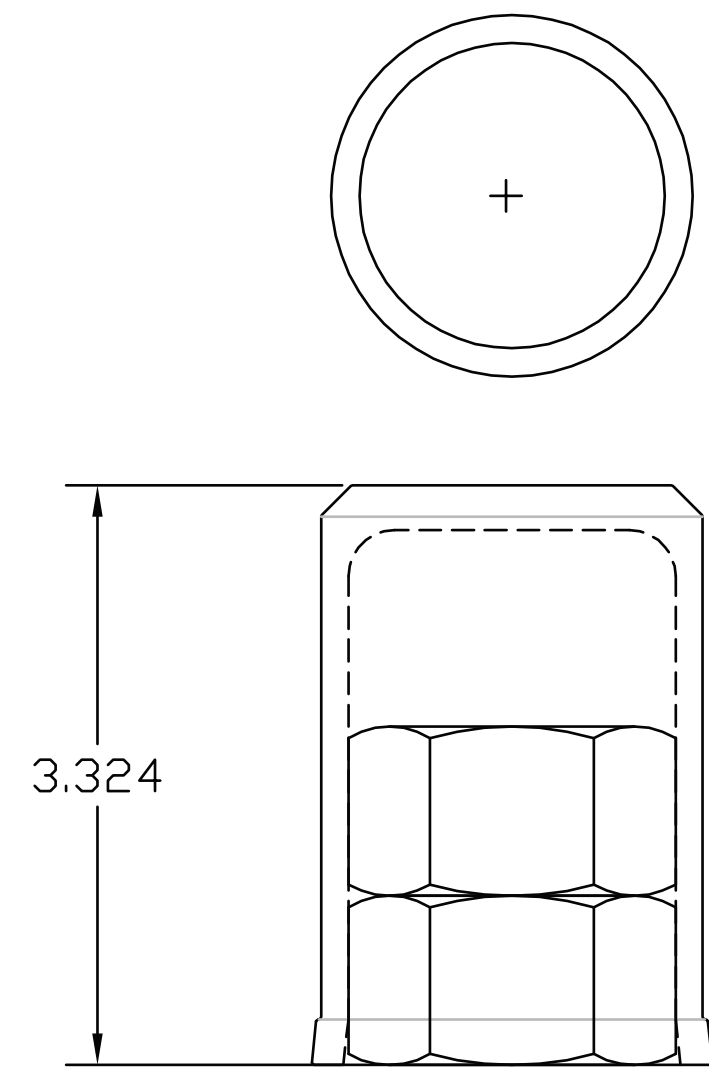


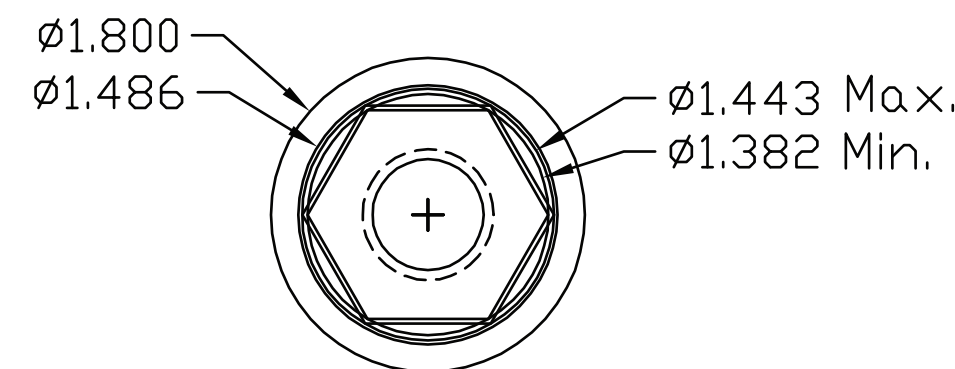
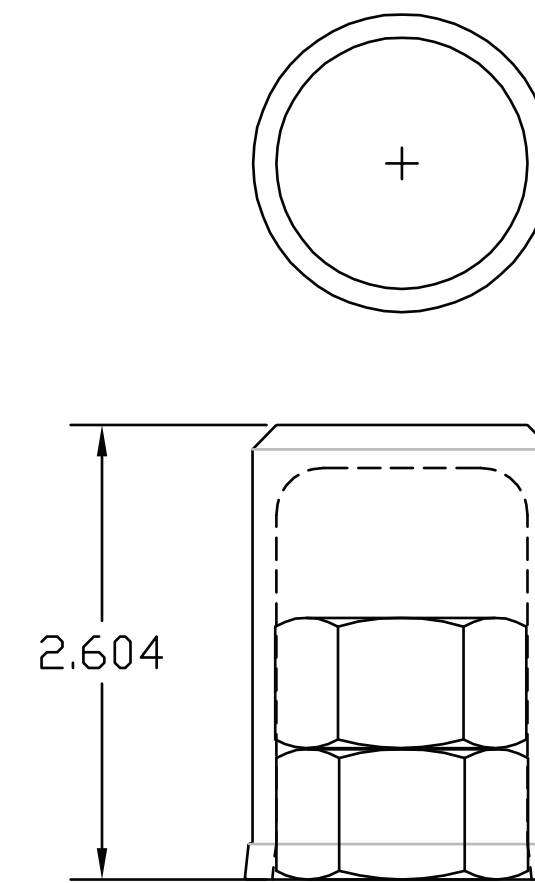
1 1/2"

RNC15



1"

RNC1



3/4"

RNC750

GENERAL:

1. UNLESS NOTED USE ONLY THE LATEST ISSUES OF ANY APPLICABLE CODES, STANDARDS OR REGULATIONS
2. UNLESS NOTED ALL CONSTRUCTION SHALL CONFORM TO THE APPLICABLE STATE OR NATIONAL BUILDING CODE
3. VERIFY ALL DIMENSIONS AND REPORT ANY DISCREPENCIES TO THE CONSULTANT BEFORE PERFORMING ANY WORK
4. ALL STRUCTURAL MEMBERS ARE NEW UNLESS NOTED OTHERWISE
5. ALL DIMENSIONS ARE IN MILLIMETERS UNLESS NOTED OTHERWISE

DESIGN LOADS:

1. STEEL STRUCTURE AND ANCHOR BOLTS DESIGNED IN ACCORDANCE WITH AASHTO STANDARD SPECIFICATIONS FOR STRUCTURAL SUPPORTS FOR HIGHWAY SIGNS, LUMINAIRES AND TRAFFIC SIGNALS FOR A 44.7 M/A (100 MPH) WIND LOAD
2. STEEL STRUCTURE AND ANCHOR BOLTS MEET THE REQUIREMENT OF THE FOLLOWING STANDARDS:
 - NATIONAL BUILDING CODES OF AMERICA
 - ASTM A123/A123M-17 STANDARDS SPECIFICATION FOR ZINC (HOT-DIP GALVANIZING) COATINGS ON IRON AND STEEL PRODUCTS

Rubber Nut cap

STRAHNET™
STRATEGIC HIGHWAY SUPPLY NETWORK LLC

rubbernutcaps.com

www.strahnet.com

www.poletopolenetwork.com

DRAWN BY : J K R

09/26/2018

DRAWING NO. RNCM.1