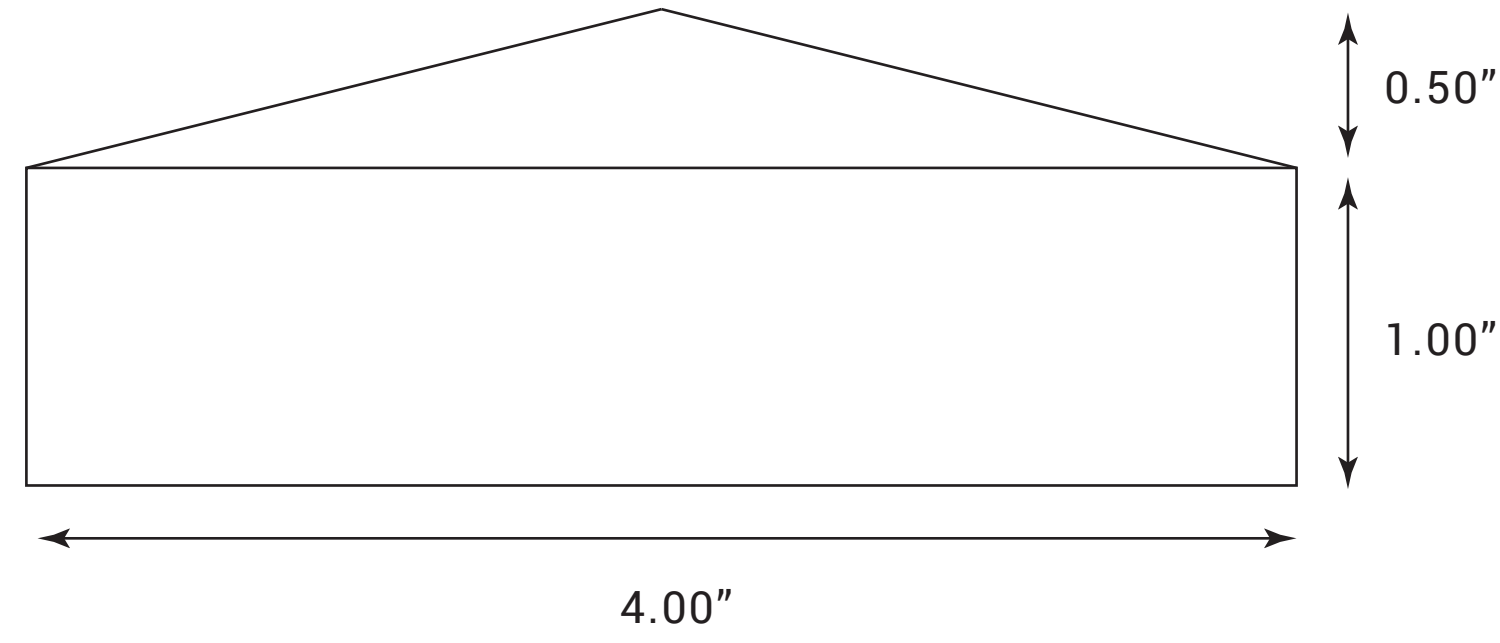
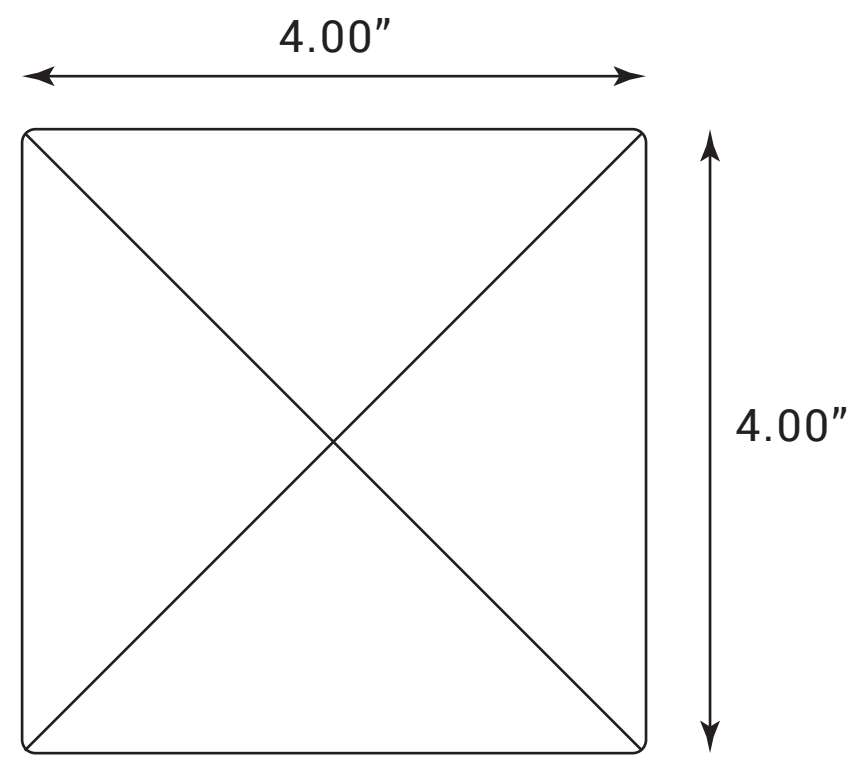
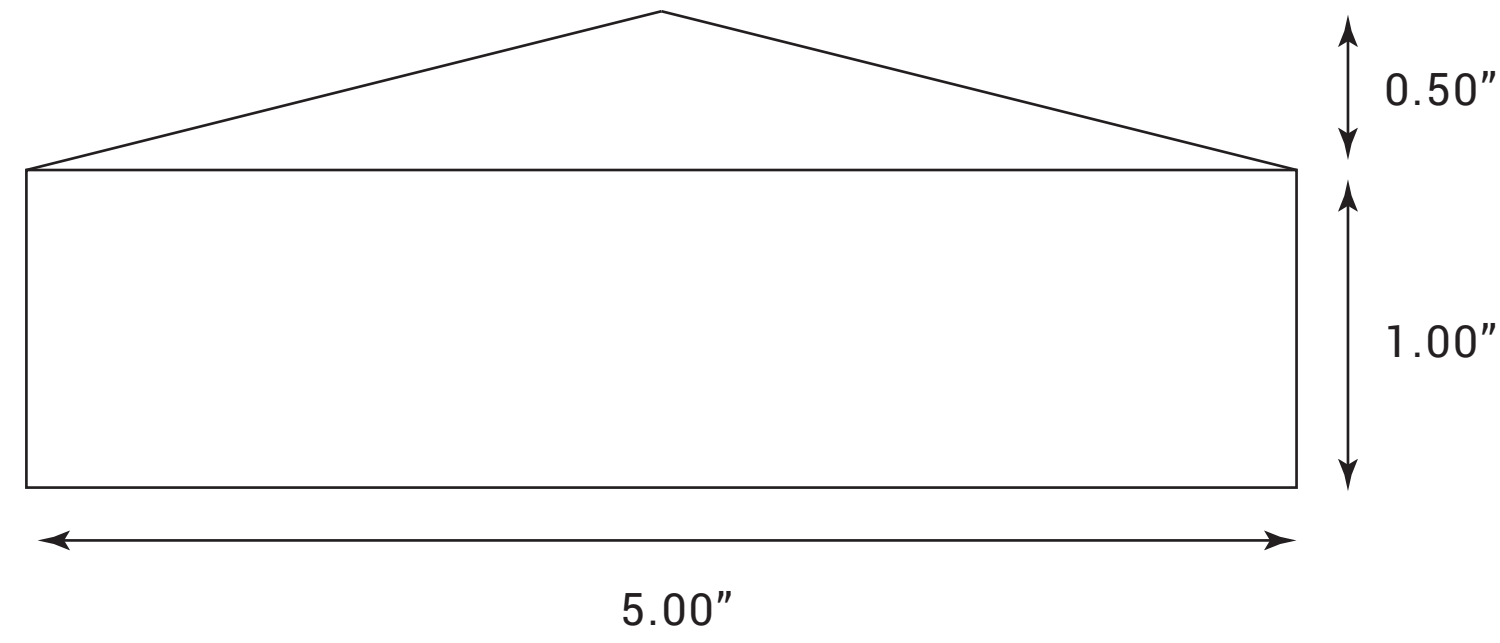
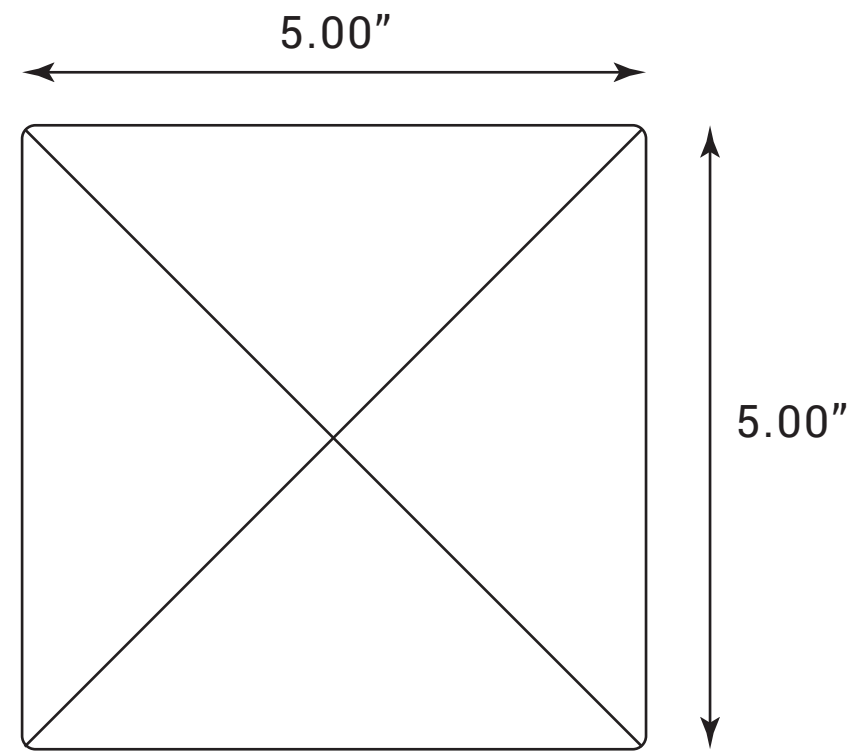


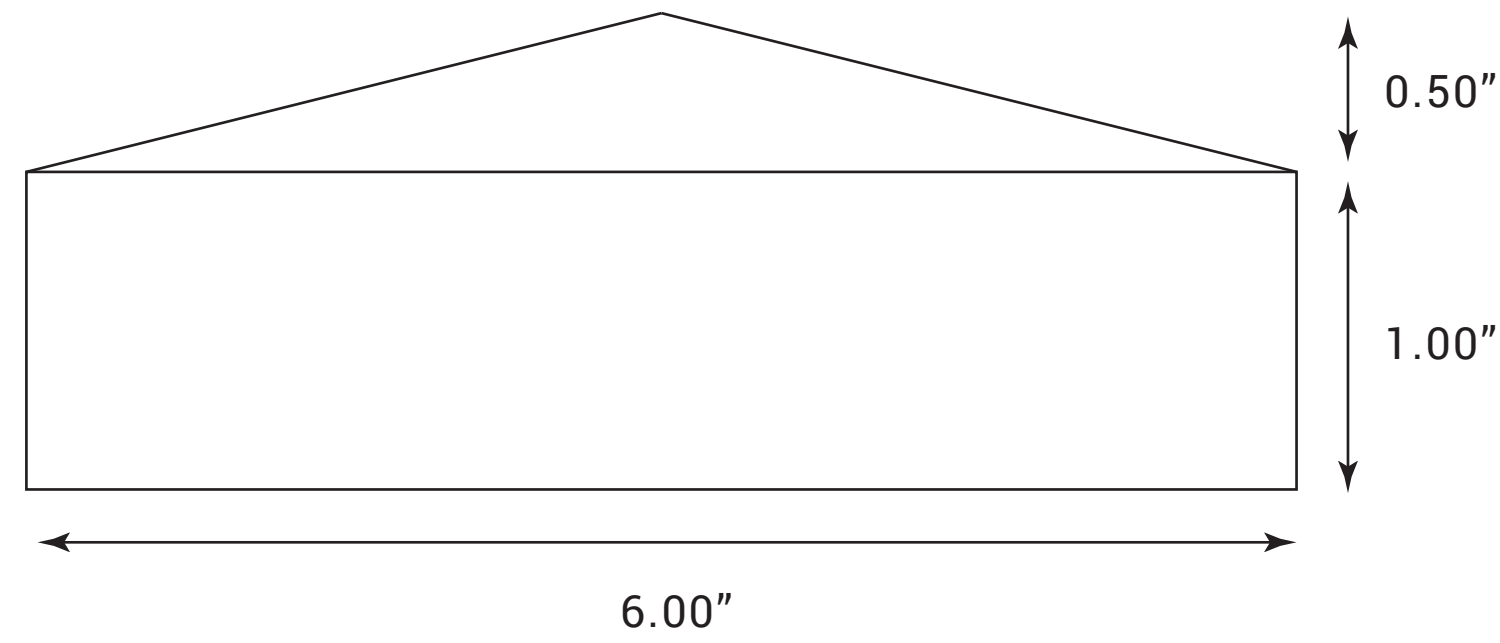
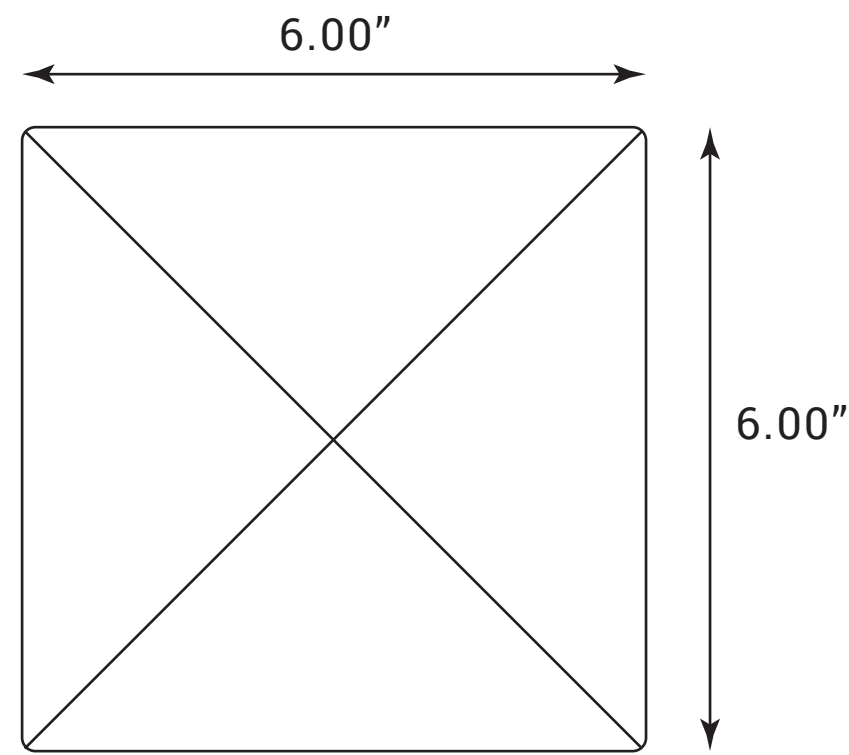
PPTS4P



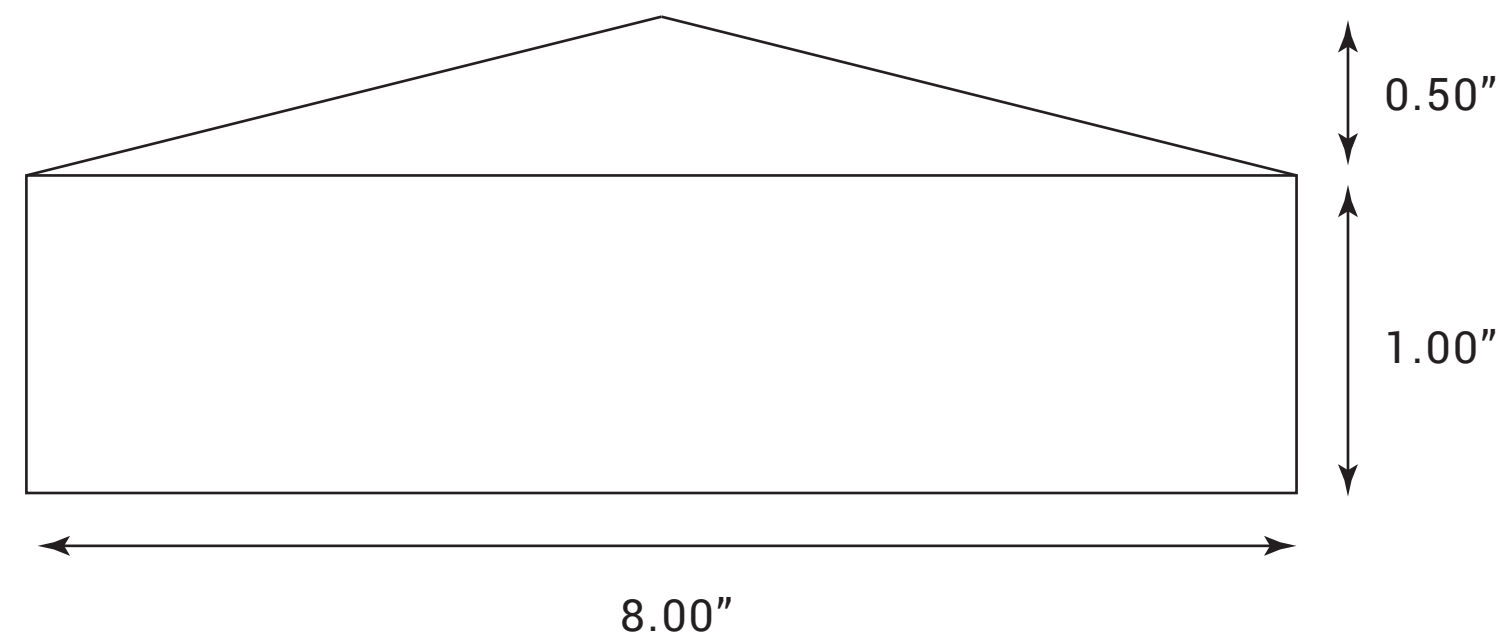
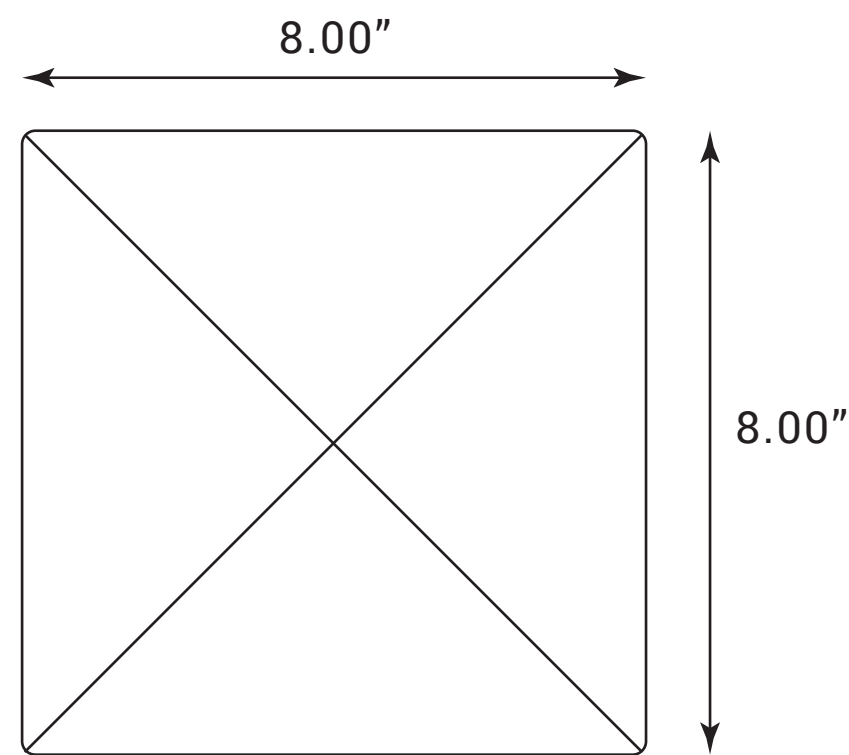
PPTS5P



PPTS6P



PPTS8P



GENERAL:

1. UNLESS NOTED USE ONLY THE LATEST ISSUES OF ANY APPLICABLE CODES, STANDARDS OR REGULATIONS
2. UNLESS NOTED ALL CONSTRUCTION SHALL CONFORM TO THE APPLICABLE STATE OR NATIONAL BUILDING CODE
3. VERIFY ALL DIMENSIONS AND REPORT ANY DISCREPENCIES TO THE CONSULTANT BEFORE PERFORMING ANY WORK
4. ALL STRUCTURAL MEMBERS ARE NEW UNLESS NOTED OTHERWISE
5. ALL DIMENSIONS ARE IN MILLIMETERS UNLESS NOTED OTHERWISE

Square Pole Tops

STRAHNETTM
STRATEGIC HIGHWAY SUPPLY NETWORK LLC

squarepoletop.com

www.strahnet.com

www.poletopnetwork.com

DRAWN BY : J K R

09/26/2018

DRAWING NO. PPTSM.1