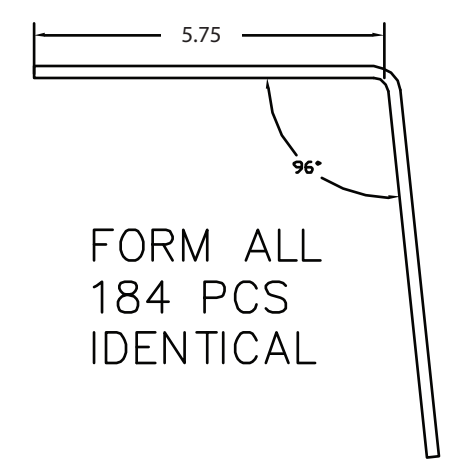
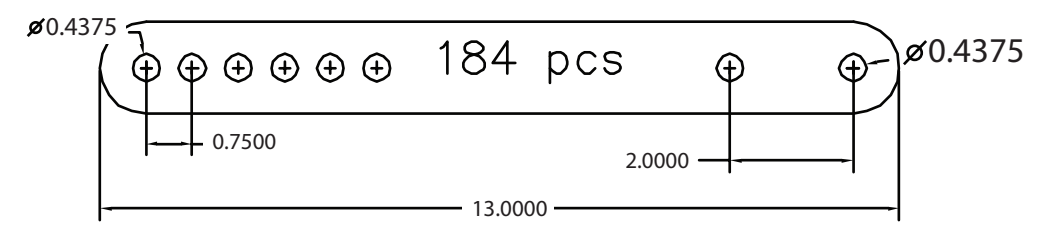


MATERIALS NEEDED



FORM ALL  
184 PCS  
IDENTICAL

GENERAL:

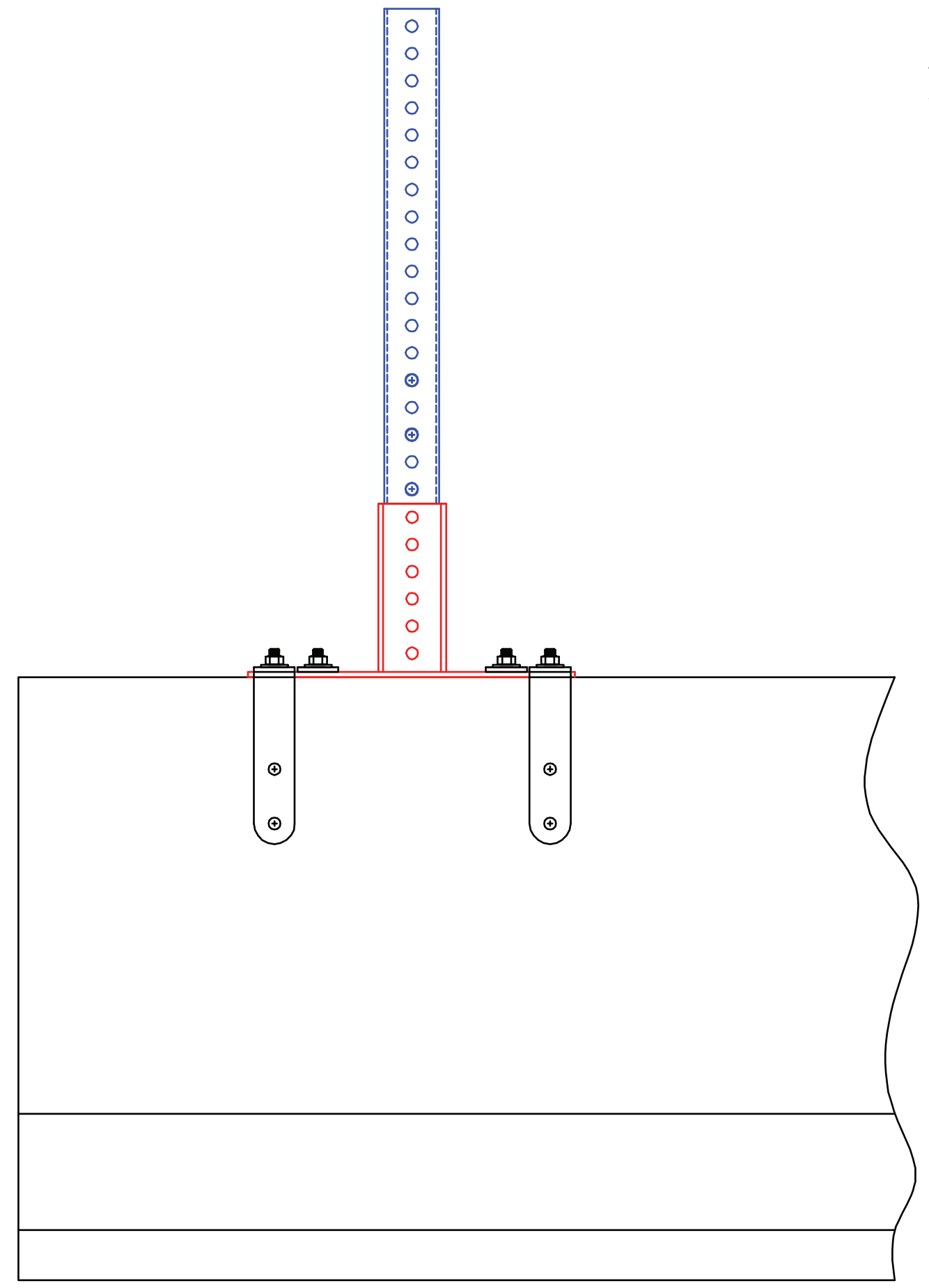
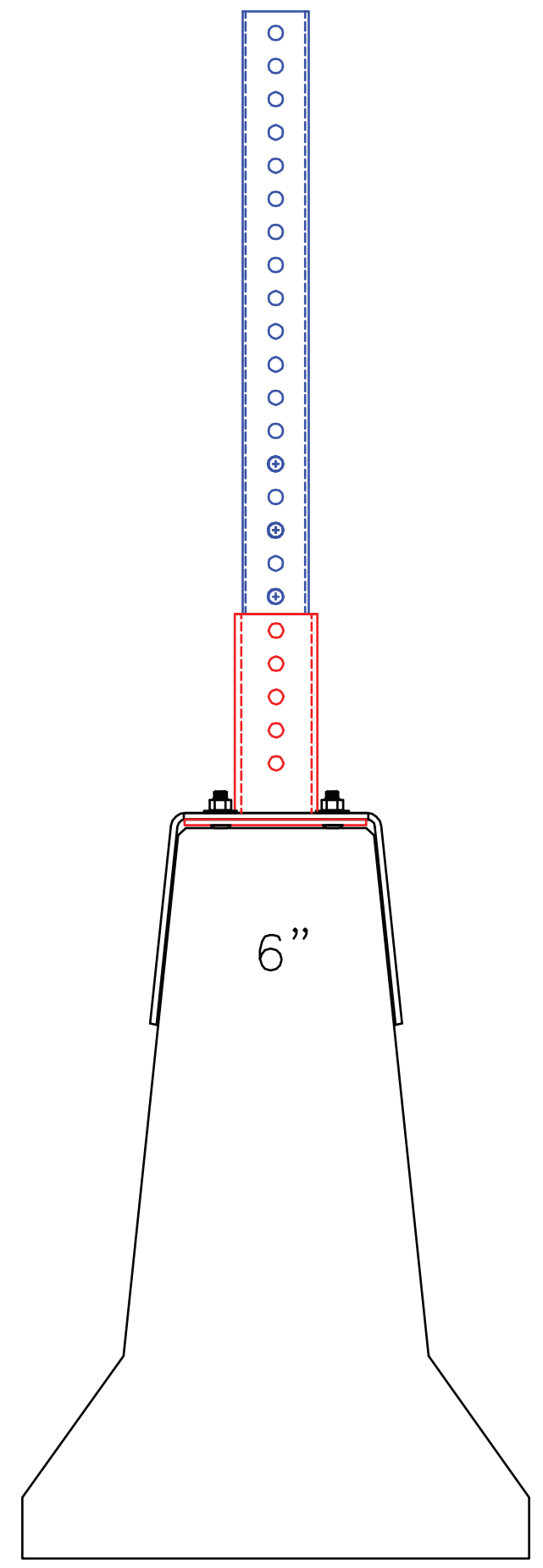
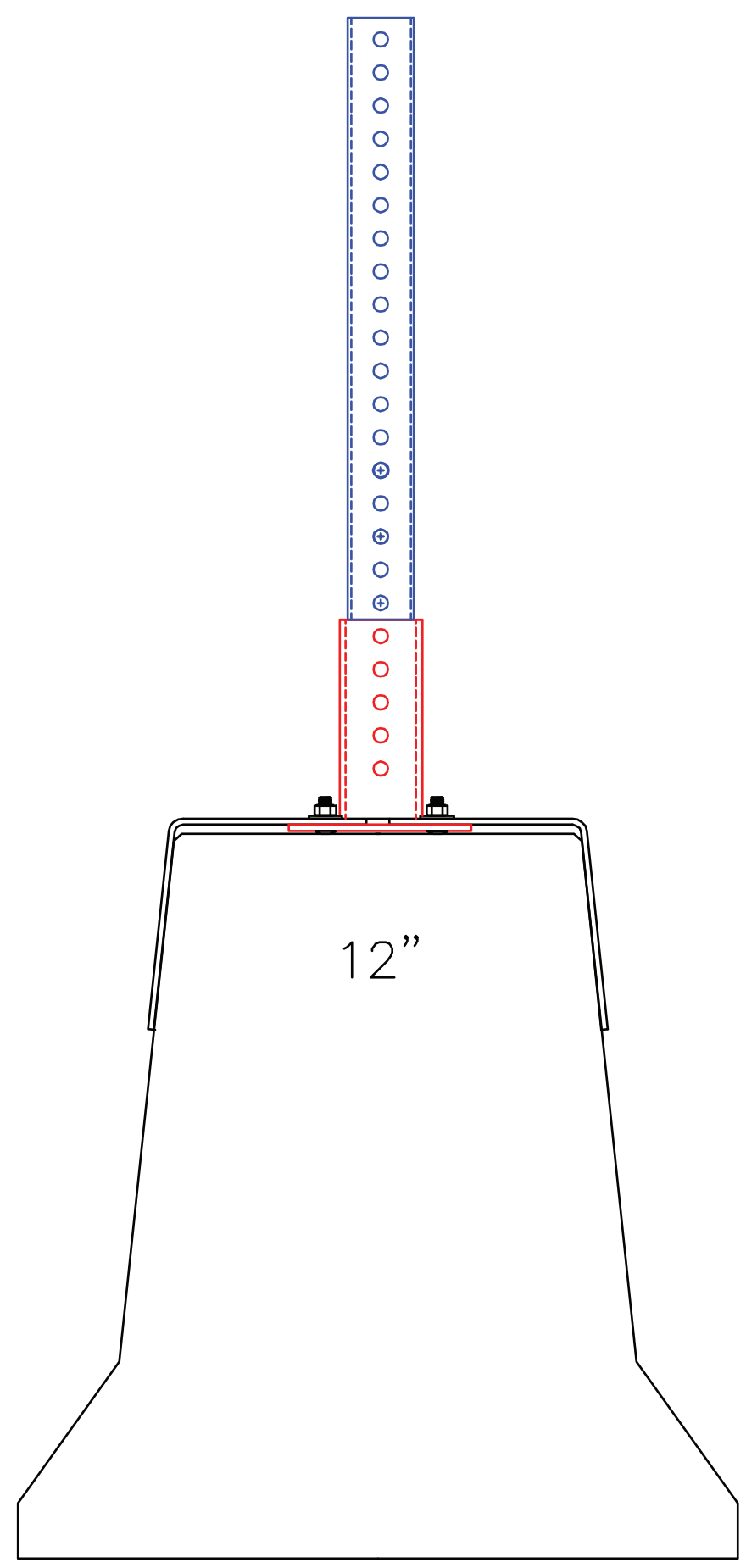
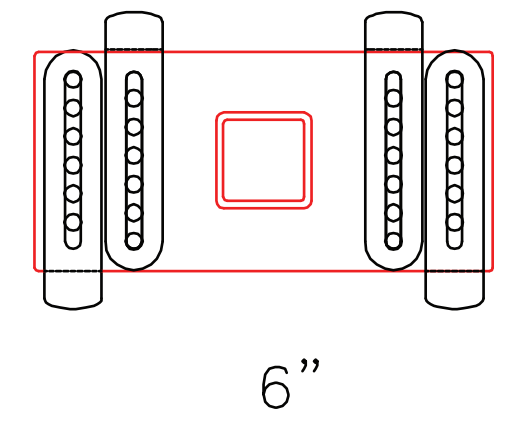
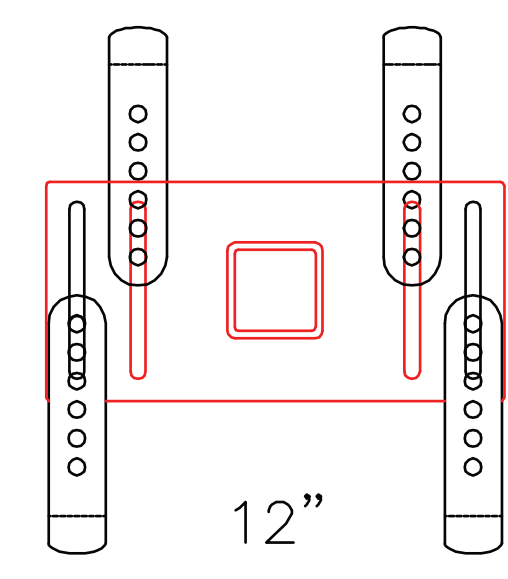
1. UNLESS NOTED USE ONLY THE LATEST ISSUES OF ANY APPLICABLE CODES, STANDARDS OR REGULATIONS
2. UNLESS NOTED ALL CONSTRUCTION SHALL CONFORM TO THE APPLICABLE STATE OR NATIONAL BUILDING CODE
3. VERIFY ALL DIMENSIONS AND REPORT ANY DISCREPENCIES TO THE CONSULTANT BEFORE PERFORMING ANY WORK
4. ALL STRUCTURAL MEMBERS ARE NEW UNLESS NOTED OTHERWISE
5. ALL DIMENSIONS ARE IN MILLIMETERS UNLESS NOTED OTHERWISE

NOTES:

ALL MATERIAL 3/16" MS PLATE

TO BE PLASMA CUT WITH A SMALL TIP

THE UNIT IS BOLTED TOGETHER WITH 3/8" X 1" CARRIAGE BOLTS, LOCK & FLAT WASHERS AND NUTS



Barrier Saddle Bracket



www.strahnet.com

poletopolenetwork

DRAWN BY : J K R

07/22/2019